

## Stainless Steel Fitted Basic Pump

CDS

## Self Priming Centrifugal Pump

*Super*  
**T SERIES**  
VARIOUS PATENTS APPLY

**Model T4A61S-B**  
**Size 4" x 4"**



## PUMP SPECIFICATIONS

**Size:** 4" x 4" (101 mm x 101 mm) NPT - Female.

**Casing:** Gray Iron 30.

Maximum Operating Pressure 86 psi (593 kPa).\*

**Semi-Open Type, Two Vane Impeller:** Stainless Steel 316.

Handles 3" (76.2 mm) Diameter Spherical Solids.

**Impeller Shaft:** Stainless Steel 17-4 PH.

**Replaceable Wear Plate:** Stainless Steel 316.

**Removable Adjustable Cover Plate:** Gray Iron 30; 40 lbs. (18 kg).

**Flap Valve:** Neoprene <sup>w</sup>/Nylon and Steel Reinforcing.

**Seal Plate:** Stainless Steel 316.

**Bearing Housing:** Gray Iron 30.

**Radial Bearing:** Open Single Row Ball.

**Thrust Bearing:** Open Double Row Ball.

**Bearing and Seal Cavity Lubrication:** SAE 30 Non-Detergent Oil.

**Flanges:** Gray Iron 30.

**Gaskets:** Buna-N, <sup>w</sup>/Compressed Synthetic Fibers, Vegetable Fiber, PTFE, Cork, and Rubber.

**O-Rings:** Buna-N.

**Internal Wetted Hardware:** Stainless Steel 316.

**External Hardware:** Standard Plated Steel.

**Pressure Relief Valve:** Stainless Steel 316.

**Bearing and Seal Cavity Oil Level Sight Gauges.**

**Optional Equipment:** Metal Bellows Seal. Automatic Air Release Valve.

Stainless Steel CD4MCu Impeller, Seal Plate and Wear Plate.

120V/240V Casing Heater. High Pump Temperature Shutdown Kit.

Self-Cleaning Wear Plate.

Gray Iron 30 Suction and Discharge Spool Flanges:

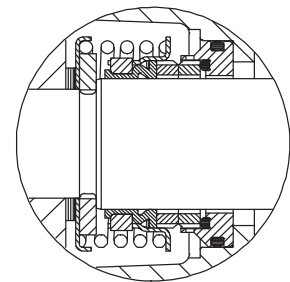
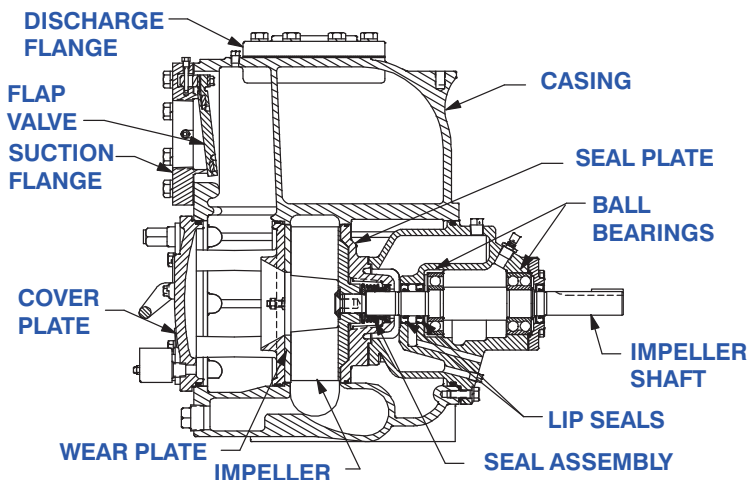
4" ASA (**Specify Model T4A61S-B /F**).

100 mm DIN 2527 (PN 16) (**Specify Model T4A61S-B /FM**).

\*Consult Factory for Applications Exceeding Maximum Pressure and/or Temperature Indicated.



Shown with Optional Suction & Discharge Spool Flanges (Available in ASA or DIN Standard Sizes).



## SEAL DETAIL

Mechanical, Oil-Lubricated, Double Floating, Self-Aligning. Silicon Carbide Rotating and Stationary Faces. Stainless Steel 316 Stationary Seat. Fluorocarbon Elastomers (DuPont Viton<sup>®</sup> or Equivalent). Stainless Steel 18-8 Cage and Spring. Maximum Temperature of Liquid Pumped, 160°F (71°C).\*



THE GORMAN-RUPP COMPANY • MANSFIELD, OHIO

GORMAN-RUPP OF CANADA LIMITED • ST. THOMAS, ONTARIO, CANADA

www.grpumps.com

Specifications Subject to Change Without Notice

Printed in U.S.A.

